

# DH-HAC-HFW1200CL-IL-A

## 2MP Smart Dual Light HDCVI Fixed-focal Bullet Camera



\* The parameters and datasheets below can only be applied to 1200-S6-IL series.  
\* In order to use the Smart Dual Light HDCVI camera, the firmware of XVR must be upgraded to V4.001.0000004.1.R.220323 or later version.

- Max. 30 fps@1080p.
- 3D NR.
- Smart Dual Light.
- 20 m illumination distance.
- Super Adapt.
- Built-in mic.
- 3.6 mm fixed lens (2.8 mm optional).
- CVI/CVBS/AHD/TVI switchable.
- IP67, 12 VDC.



### System Overview

The Lite Series is a great choice for consumers looking for high quality monitoring products at a reasonable price. Its low cost and high performance make it ideal for residential areas and SMB solutions. This series is equipped with a wide range of technologies, such as full-color and starlight, providing various solutions for different scenarios.

### Functions

#### Smart Dual Light

With its smart dual light mechanism, the camera automatically turns on the white light when Perimeter Protection/SMD Plus function of AI XVR detects a target in the rule area to capture clear, vivid images. When the target leaves the rule area, the camera automatically switches over from the white light to the IR light to significantly reduce light pollution.

#### Broadcast-quality Audio

Audio signal transmission over coaxial cables is supported by the HDCVI camera. It adopts a unique audio processing and transmission technology that restores source audio and eliminates noise, ensuring the quality and reliability of the audio information that is collected. This becomes important for video surveillance applications that use audio information as a type of supplementary evidence.

#### Super Adapt

With its intelligent algorithm, the camera automatically adjusts its parameters to provide optimal performance and vivid images.

#### Advanced 3DNR

Dahua's advanced 3DNR technology reduces image noise with little to no impact on image sharpness, especially in poor lighting conditions. It detects the noise, and compares the sequential frames to effectively reduce the noise. It also makes efficient use of bandwidth, saving on storage space.

#### Protection (IP67, Wide Voltage)

**IP67:** The camera passed a series of rigorous dust and immersion tests. Its enclosure is both dust-proof and waterproof, and can function normally while being immersed in 1 m deep water for up to 30 minutes.  
**Wide voltage:** The camera has  $\pm 30\%$  input voltage tolerance (for some power supplies) and a wide voltage range, making it suitable for a variety of outdoor scenarios.

#### 4 Signals over 1 Coaxial Cable

HDCVI technology supports 4 signals (video, audio\*, data and power) which are simultaneously transmitted over a coaxial cable. Dual-way data transmission allows the HDCVI camera to interact with the XVR to perform various actions such as sending control signals and triggering alarms. HDCVI technology also supports PoC, which makes the camera easy and quick to install.

\* Audio input is available for select HDCVI camera models.

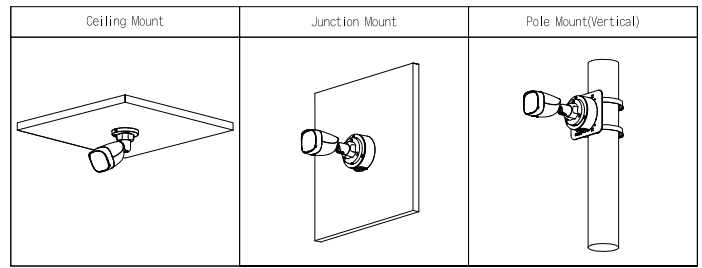
#### Long Distance Transmission

HDCVI technology provides long distance transmission in real time without transmission loss. It supports transmission distances up to 700 m for 2-MP/5-MP/8-MP HD videos through coaxial cables, and up to 300 m through UTP cables. The results were obtained and verified through rigorous testing in Dahua's test laboratory.

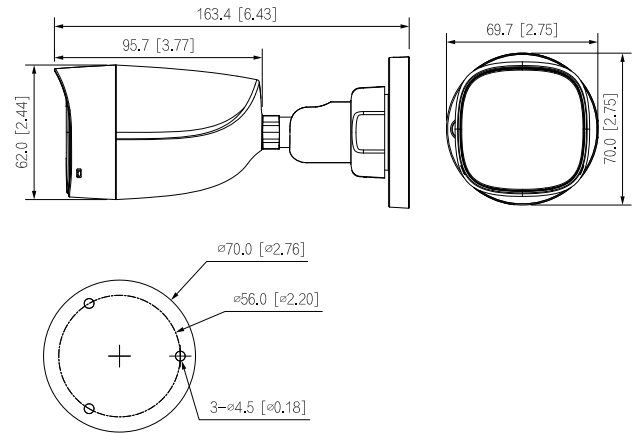
Technical Specification					
Camera					
Image Sensor	2 MP CMOS				
Max. Resolution	1920 (H) × 1080 (V)				
Scanning System	Progressive				
Electronic Shutter Speed	PAL: 1/25 s–1/100000 s NTSC: 1/30 s–1/100000 s				
Min. Illumination	0.01 lux@F2.0 (Color, 30 IRE) 0.001 lux@F2.0 (B/W, 30 IRE) 0 lux (Illuminator on)				
S/N Ratio	>65 dB				
Illumination Distance	IR: 20 m (65.62 ft) Warm light: 20 m (65.62 ft)				
Illuminator On/Off Control	Auto				
Illuminator Number	2 (Warm light);2 (IR light)				
Angle Adjustment	Pan: 0°–360° Tilt: 0°–90° Rotation: 0°–360°				
Lens					
Lens Type	Fixed-focal				
Auto Focus	No				
Lens Mount	M12				
Focal Length	2.8 mm;3.6 mm				
Max. Aperture	F2.0				
Field of View	2.8 mm: H: 102°; V: 60°; D: 129° 3.6 mm: H: 83°; V: 48°; D: 105°				
Iris Control	Fixed				
Close Focus Distance	2.8 mm: 0.5 m (1.64 ft) 3.6 mm: 0.7 m (2.30 ft)				
DORI Distance	Lens	Detect	Observe	Recognize	Identify
	2.8 mm	41.1 m (135.83 ft)	16.5 m (42.13 ft)	8.3 m (27.23 ft)	4.1 m (13.45 ft)
	3.6 mm	50.9 m (166.99 ft)	20.3 m (66.60 ft)	10.2 m (33.46 ft)	5.1 m (16.73 ft)
Video					
Video Frame Rate	CVI: PAL: 1080p@25 fps; NTSC: 1080p@30 fps; AHD: PAL: 1080p@25 fps; NTSC: 1080p@30 fps; TVI: PAL: 1080p@25 fps; NTSC: 1080p@30 fps; CVBS: PAL: 960H; NTSC: 960H				
Resolution	1080p (1920 × 1080); 960H (960 × 576/960 × 480)				
Day/Night	Auto(ICR)/Color/B/W				
BLC	BLC; HLC; DWDR				
WDR	DWDR				
White Balance	Auto; Area white balance				
Gain Control	Auto				
Noise Reduction	3D NR				
Illumination Mode	Smart IR&WL; WL Mode; IR Mode				
Mirror	Yes				
Privacy Masking	Off/On (8 areas, rectangle)				
Certification					
Certifications	CE-LVD: EN 62368-1; CE-EMC: EN 55032; EN 55035; FCC: 47 CFR FCC Part 15, Subpart B				
Port					
Video Output	Video output choices of CVI/TVI/AHD/CVBS by one BNC port				
Audio Input	1 channel				
Power					
Power Supply	12 VDC ± 30%				
Power Consumption	Max 2.6W (12 VDC, IR on)				
Environment					
Operating Temperature	–40 °C to +60 °C (–40 °F to +140 °F)				
Operating Humidity	<95% (RH), non-condensing				
Storage Temperature	–40 °C to +60 °C (–40 °F to +140 °F)				
Storage Humidity	<95% (RH), non-condensing				
Protection	IP67				
Structure					
Casing Material	Plastic				
Product Dimensions	163.4 mm × 69.7 mm × 70 mm (6.43" × 2.74" × 2.76")				
Net Weight	0.18 kg (0.40 lb)				
Gross Weight	0.26 kg (0.57 lb)				
Installation	Wall mount; ceiling mount; vertical pole mount				

**Ordering Information**

Type	Model	Description
2MP Camera	DH-HAC-HFW1200CLP-IL-A	2MP HDCVI Smart Dual Light Bullet Camera, PAL
	DH-HAC-HFW1200CLN-IL-A	2MP HDCVI Smart Dual Light Bullet Camera, NTSC
Accessories (Optional)	PFA130-E	Water-proof Junction Box
	PFA134	Junction Box
	PFA152-E	Pole Mount Bracket
	PFM800-E	Passive HDCVI Balun
	FM321D	12V 1A Power Adapter
	PFM904	Integrated Mount Tester



**Dimensions (mm [inch])**



**Accessories**

Optional:



PFA130-E  
Water-proof  
Junction Box



PFA134  
Junction  
Box



PFA152-E  
Pole Mount  
Bracket



PFM800-E  
Passive HDCVI Balun



FM321D  
12V 1A Power  
Adapter



PFM904  
Integrated Mount  
Tester